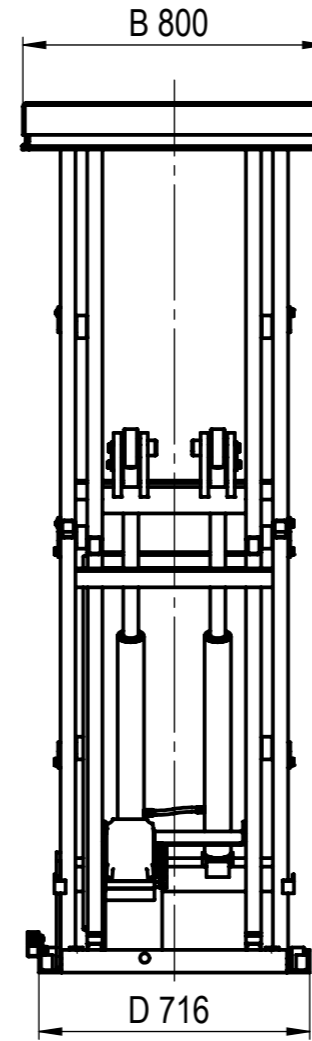
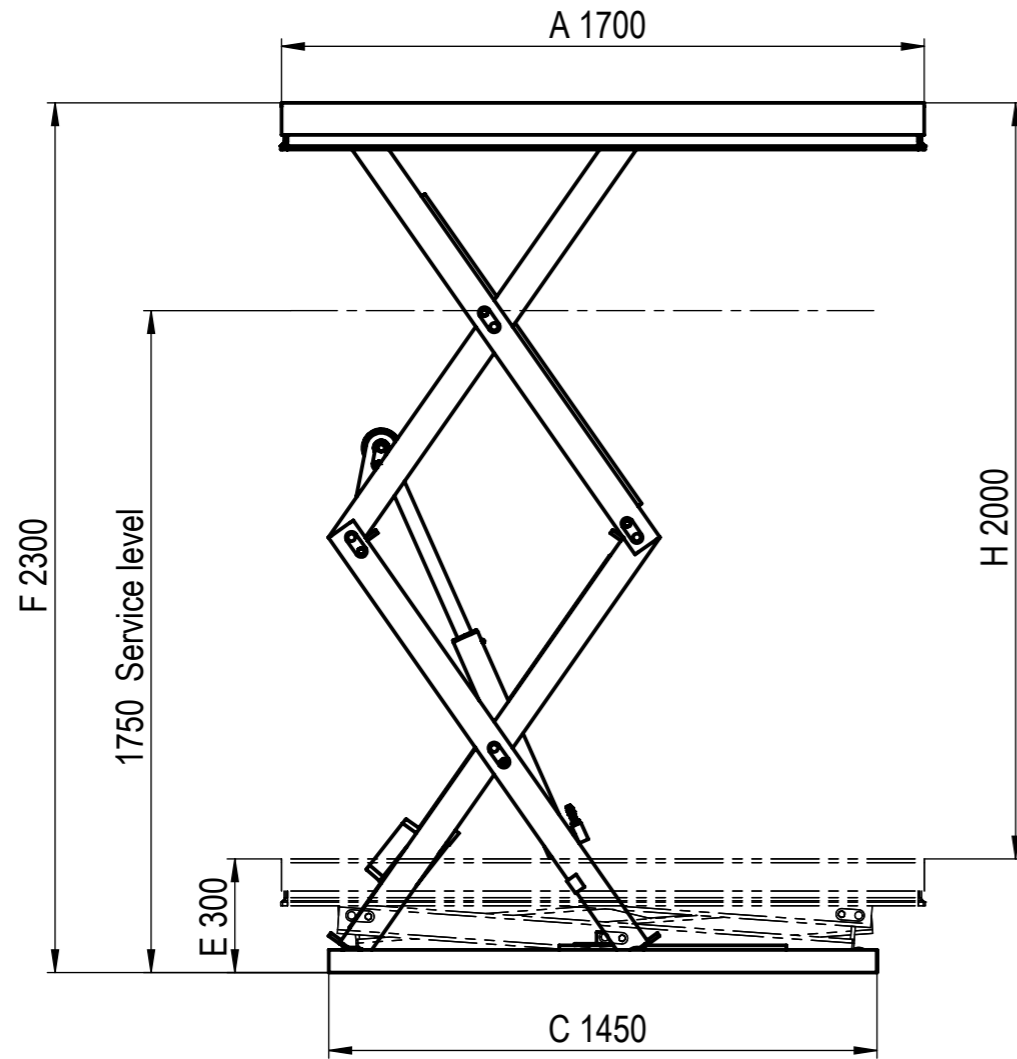
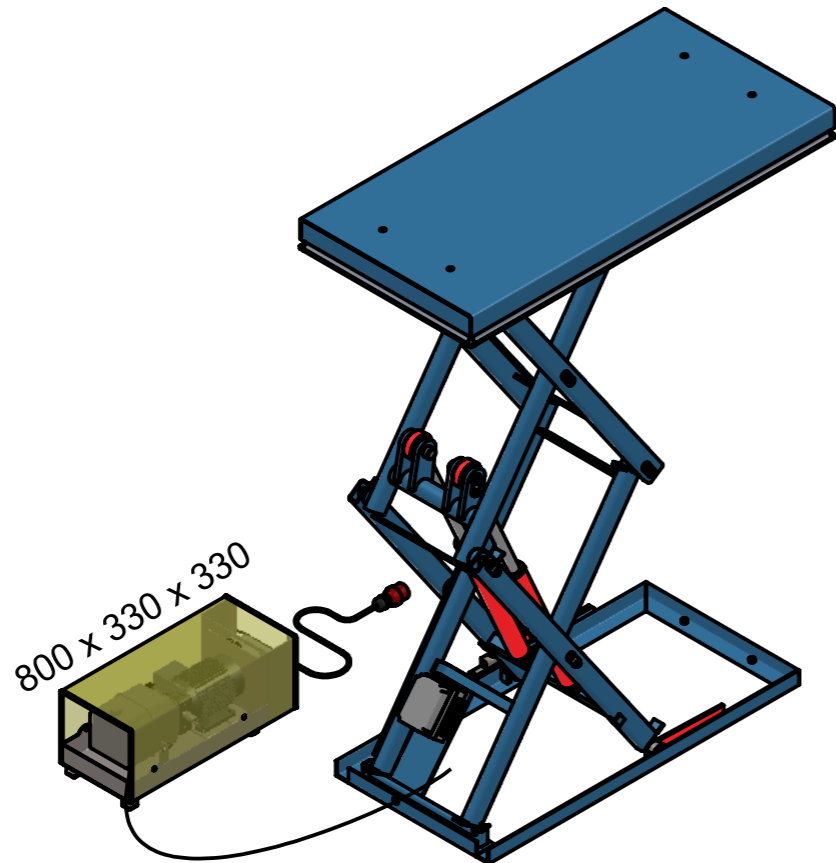



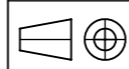
Subject to change. | Änderungen vorbehalten. | Sous réserve de modifications.



# HTPD ERGONOMIZER



Capacity / Tragfähigkeit / Capacité (Full surface load / Flächenlast / Pleine charge de surface)	500	[kg]
Max Lifting / Max Hub / Hauteur de Levage max	2000	[mm]
Lifting Time / Hubzeit / Temps de course	30	[sek]
Required Power / Motorleistung / Puissance Moteur	1,5	[kW]
Power Supply / Stromversorgung / Tension d'alimentation	3x400V 50Hz	
Lifting Category / Hubkategorie / Catégorie de Levage	2	
Class of Protection / Schutzklasse / Classe de protection	IP54	
Color / Farbe / Couleur	RAL 5015 <span style="color: blue;">■</span>	

		Part name			HTPD 5 - 2000 1700x800			Quantity:	
		Drawing nr			0265.17 00-00 HTPD-5-2000 -K09			Weight: 280kg	
	Dimension in	Sheet	Size	Scale	Index	Date			
	mm	1 / 1	A3	1:20	MK	2017-10-25			
<small>General tolerances for nominal dimension without specified tolerance: IT 13 The Information Contained In This Drawing Is The Sole Property Of Columbus McKinnon Corporation. Any Reproduction In Part Or As A Whole Without The Written Permission Of Columbus McKinnon Corporation Is Prohibited.</small>									